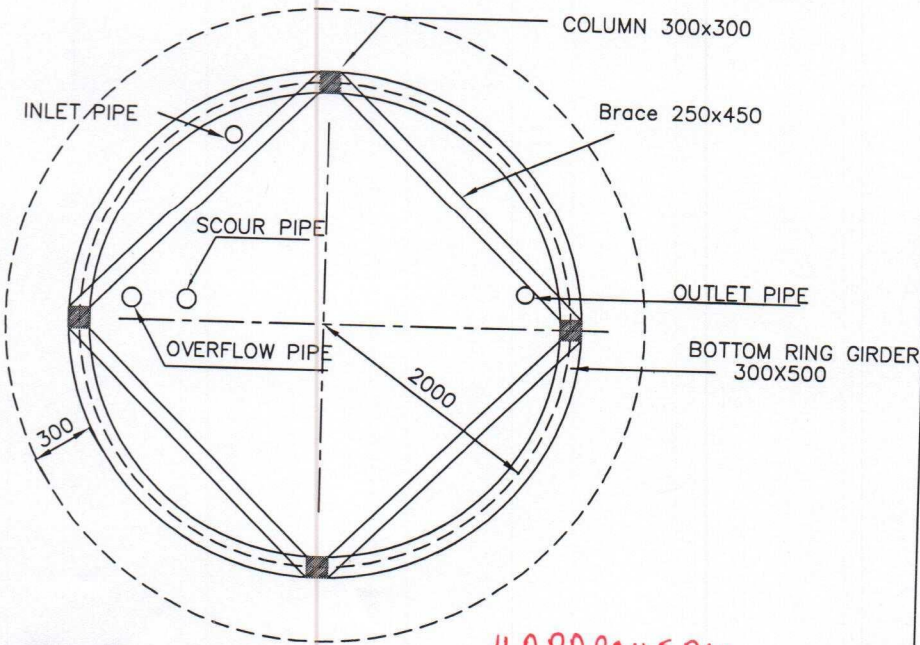


SECTIONAL ELEVATION



PLAN

NOTES

1. Grade of Concrete : M30
2. Grade of Steel : Fe500
3. Clear minimum cover
 - a) Water face:
 - Side walls : 45MM
 - Top & Bottom slabs : 45MM
 - Beams : 45MM
 - b) Away from Water face:
 - Side walls : 25MM
 - Top & Bottom slabs : 25MM
 - Beams : 25MM
 - c) Columns : 40MM
 - d) Footings : 50MM
4. All dimension are in 'mm' unless specified.
5. The steel should not be overlapped at the junction points
6. Not more than 1/2 of the bars should be curtailed at a given section
7. Suitable PVC pipe casing has to be Provided in the staircase column up to the top, for installation of lightning Arrester.
8. Seismic Zone : II
9. Wind speed : 44 m/s (Wind pressure: 1.6 kN/m²)
10. free board: 0.15m
11. Dead storage : 0.15m
12. Total staging is 12m and has to be adjusted in last staging
13. The bottom Brace is considered at a height of 2m from top of the Raft ring beam.
14. For detailing of reinforcement IS SP-34 shall be followed .

11 APPROVED 11

CE-1 CE-II CE-III

 TD WSP, Hyderabad.

 12/4 13/4 13/4 13/4

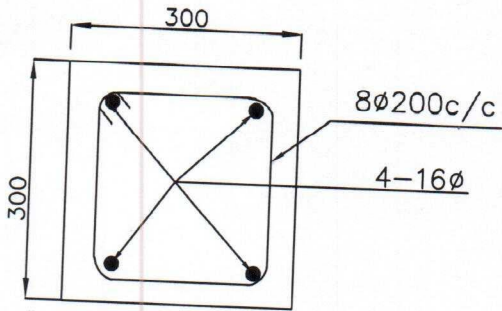
Government of Telangana.

 Rural Water Supply & Sanitation

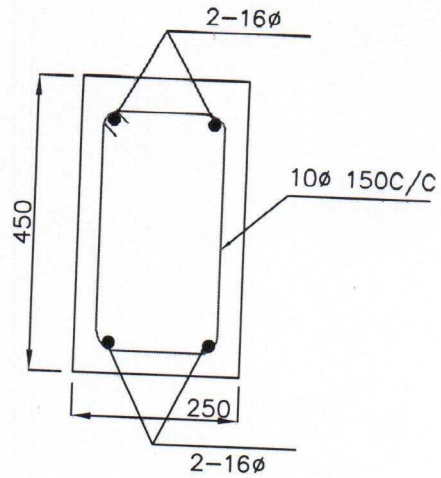
 Department

 Construction of 20 KL capacity

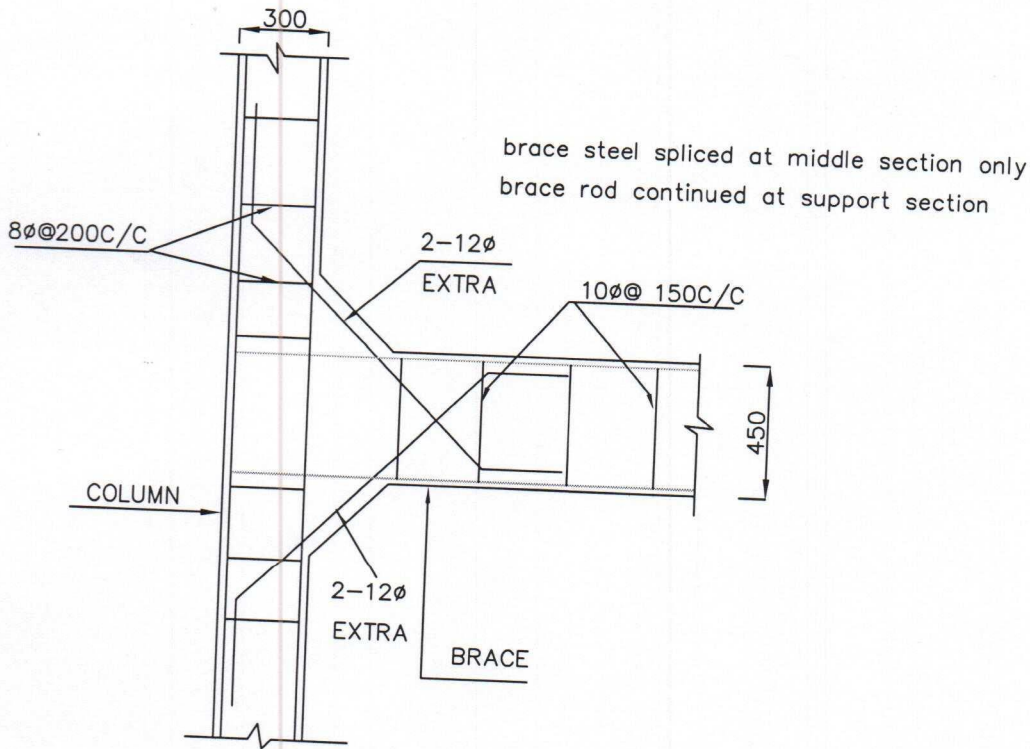
 OHSR/OHBR 12m staging column type



SECTION OF COLUMN



SECTION OF BRACE



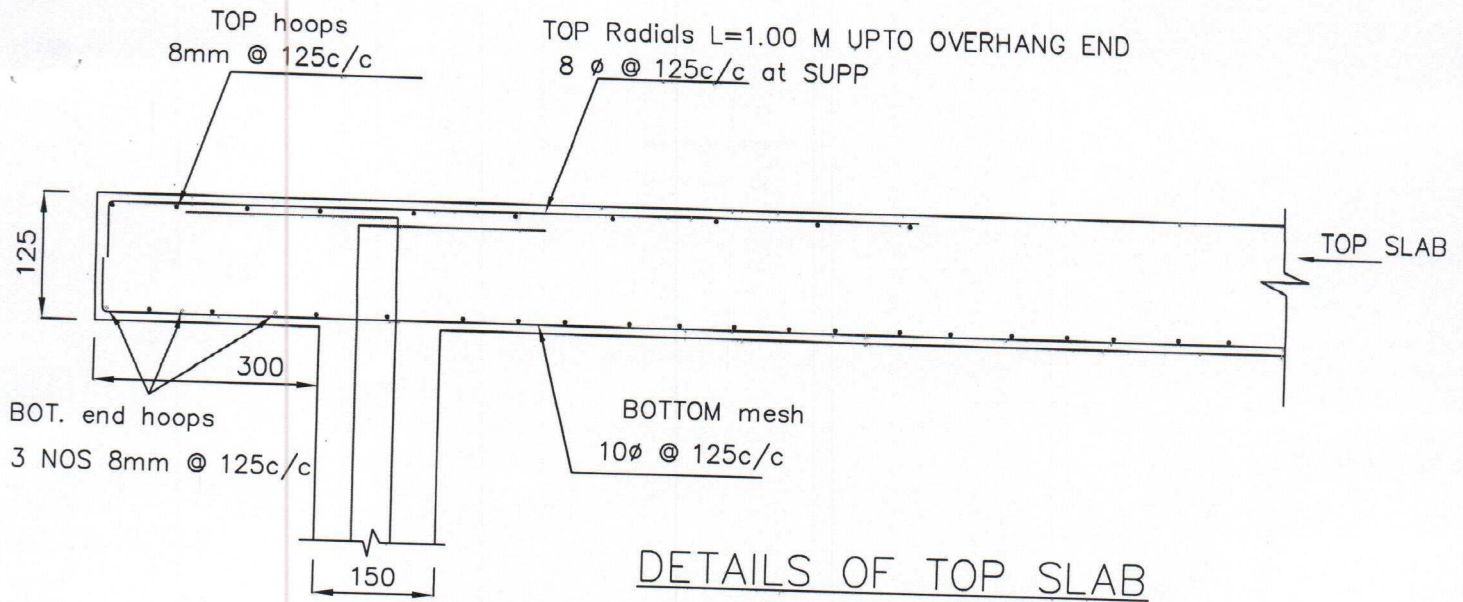
COLUMN BRACE JUNCTION

|| APPROVED ||

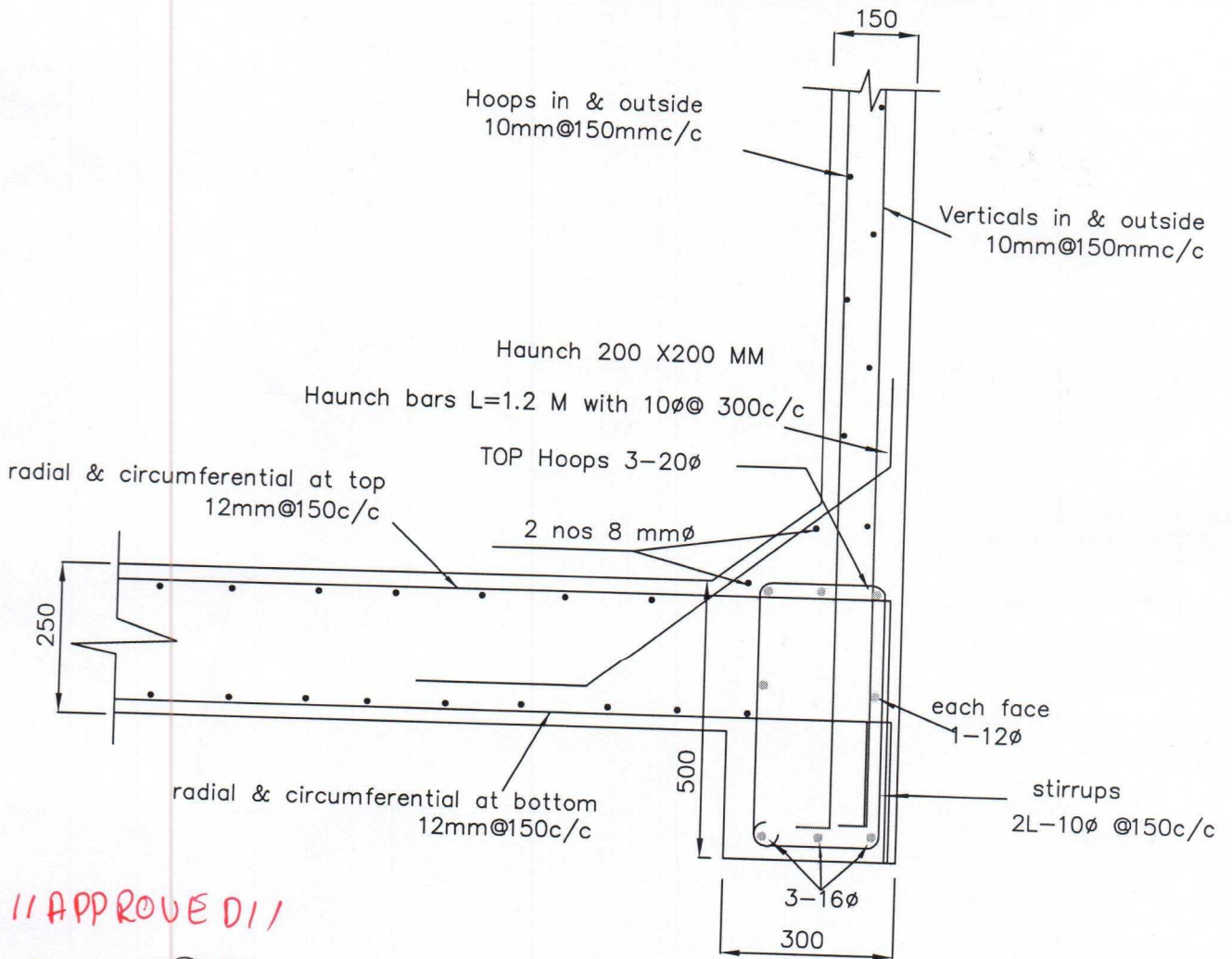
CE-I, CE-II, CE-III
 TDWSP, Hyderabad.

13/11/17
 13/11/17
 13/11/17
 13/11/17
 13/11/17
 BE

Government of Telangana.	
Rural Water Supply & Sanitation Department	
Construction of 20 KL capacity OHSR/OHBR 12m staging column type	
Scale: Not to scale	sheet: 2 of 8



DETAILS OF TOP SLAB



BOTTOM RING BEAM

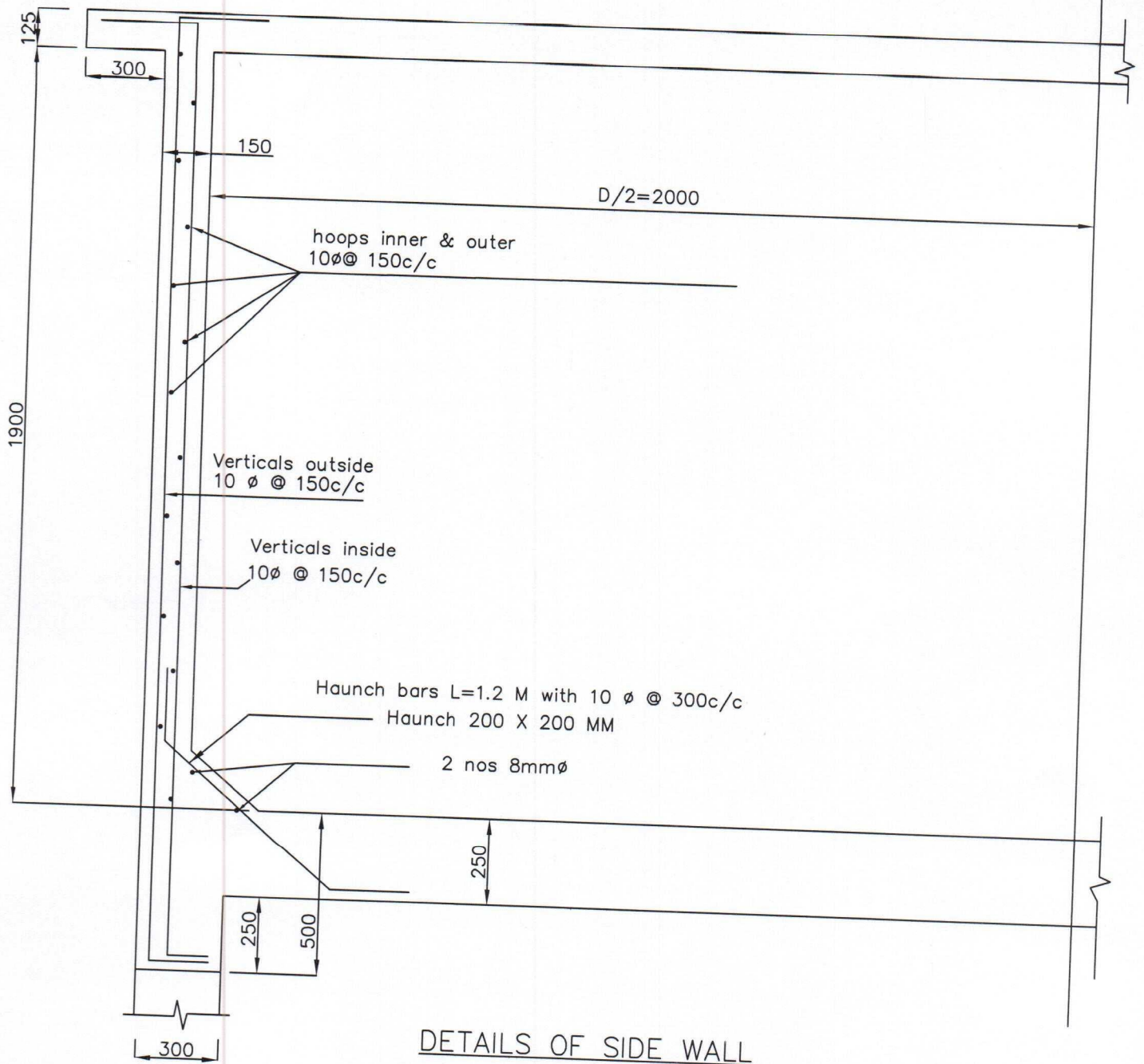
11 APPROVED 111

CE-1, CE-11, CE-111

TDWSP, Hyderabad.

12/14, 13/14, 13/14, 13/14/17, 13/14/17

Government of Telangana.	
Rural Water Supply & Sanitation Department	
Construction of 20 KL capacity OHSR/OHBR 12m staging column type	
Scale: Not to scale	sheet: 3 of 8

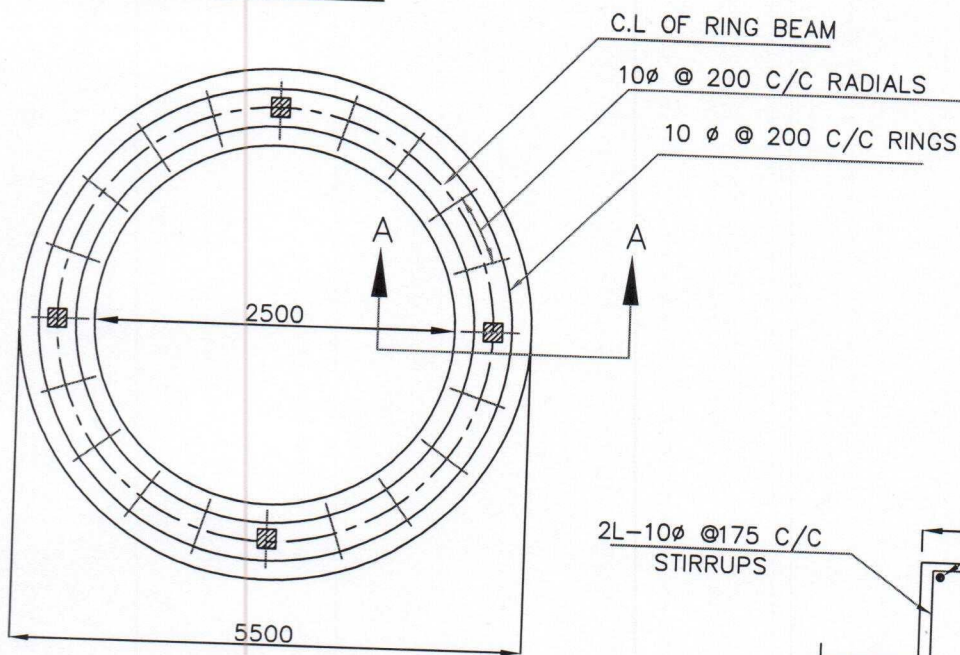
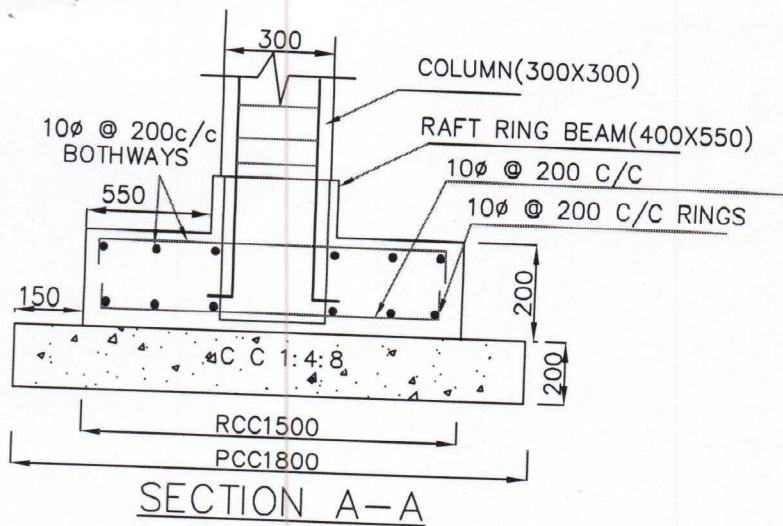


|| APPROVED ||

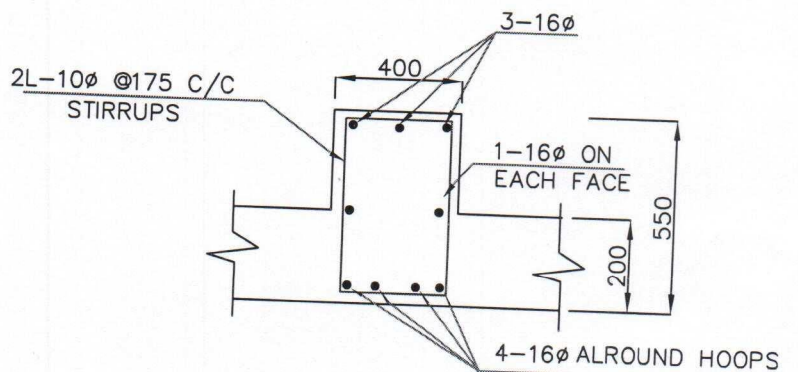
CE-I, CE-II, CE-III
TDWSP, Hyderabad.

13/4
13/4
13/4
12/11/12
13/4/12

Government of Telangana.	
Rural Water Supply & Sanitation Department	
Construction of 20 KL capacity OHSR/OHBR 12m staging column type	
Scale: Not to scale	sheet: 4 of 8



BOTTOM REINFORCEMENT OF
RING FOUNDATION
SBC -7.5t/m²



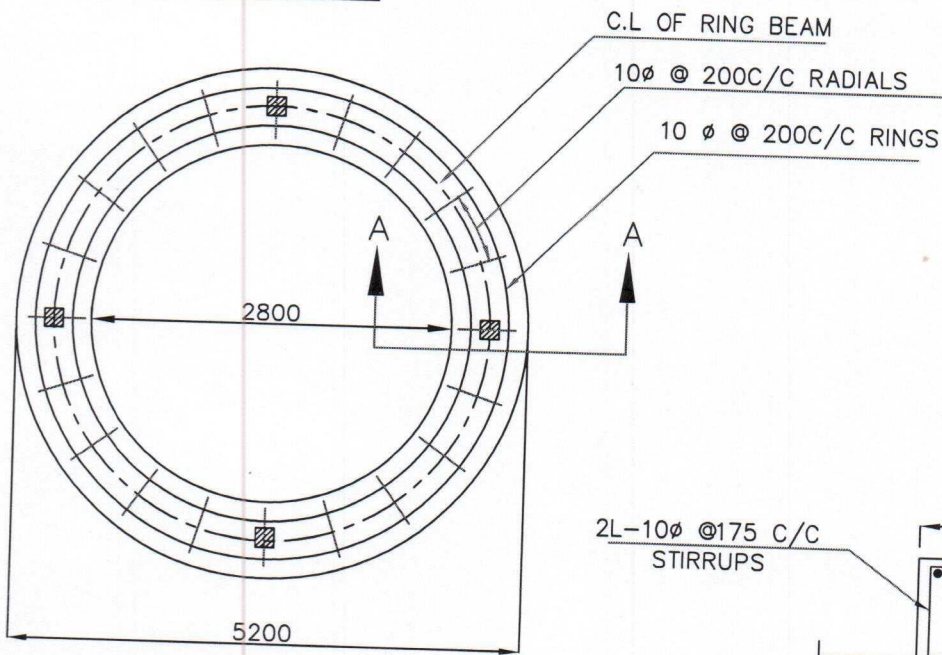
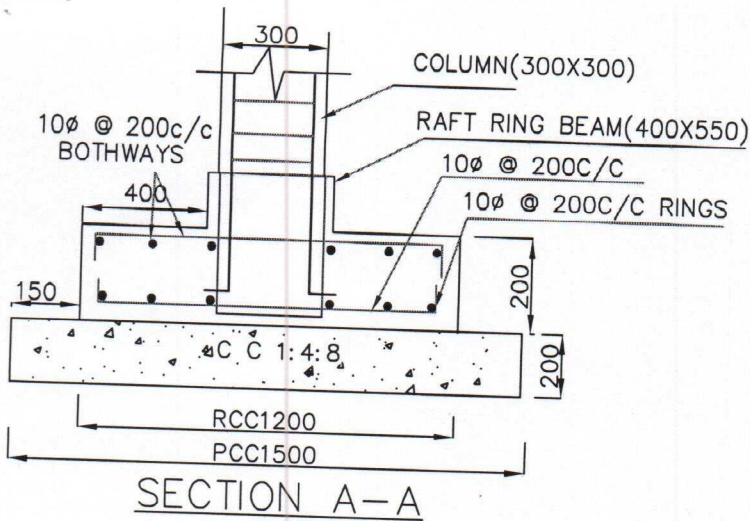
SECTION OF RING RAFT BEAM

H APPROVED

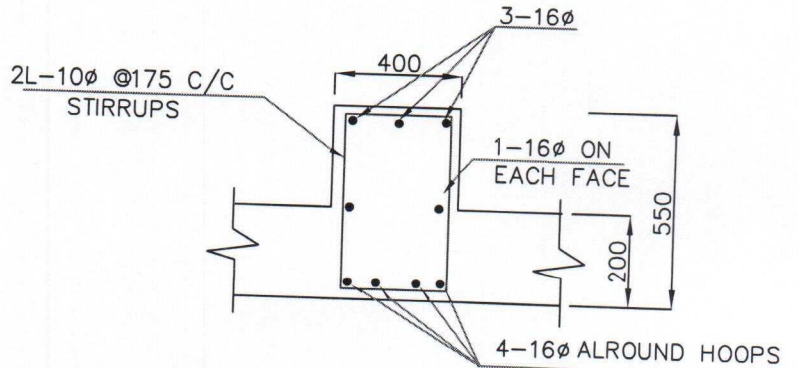
CE-1, CE-II, CE-III
 TDWSP, Hyderabad

13/4
 13/4
 13/4
 13/4
 13/4

Government of Telangana.	
Rural Water Supply & Sanitation Department	
Construction of 20 KL capacity OHSR/OHBR 12m staging column type	
Scale: Not to scale	sheet: 5 of 8



BOTTOM REINFORCEMENT OF
RING FOUNDATION
SBC - 20t/m²



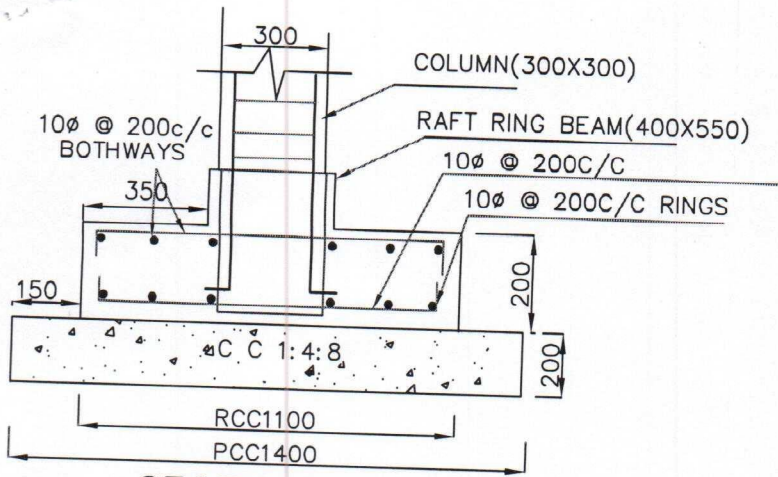
SECTION OF RING RAFT BEAM

|| APPROVED ||

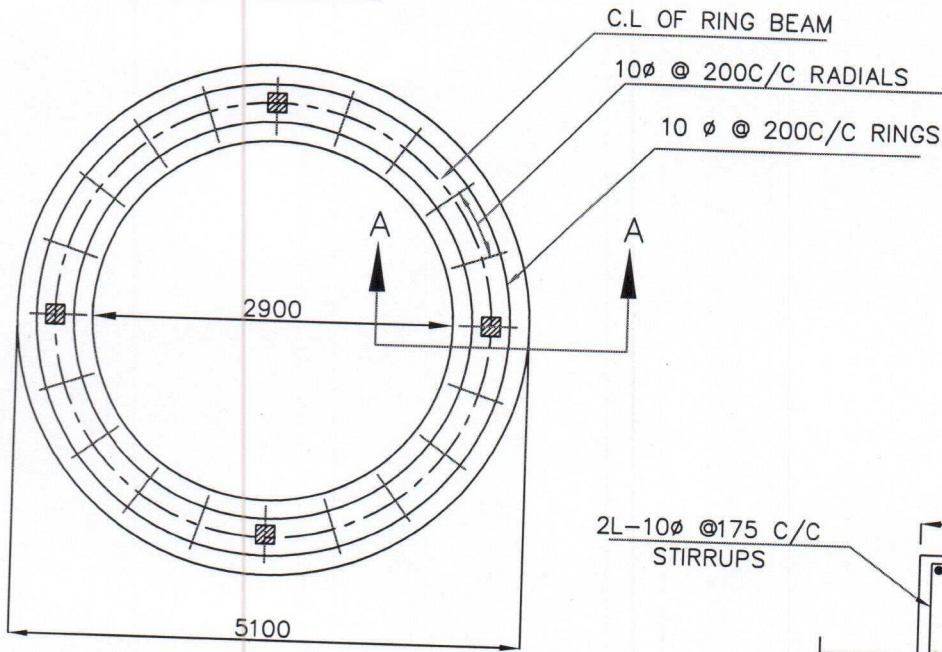
G.K. Reddy 15/4/12
 CE-I, CE-II, CE-III
 TDWSP, Hyderabad.

13/4
 15/4
 18/4
 21/4/12
 M
 13/4
 EE

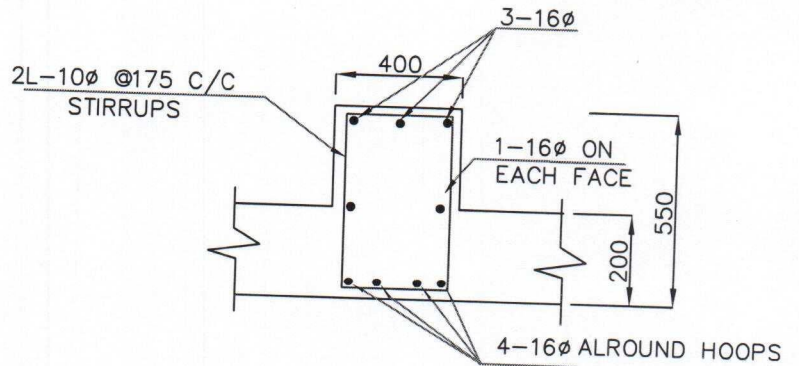
Government of Telangana.	
Rural Water Supply & Sanitation Department	
Construction of 20 KL capacity OHSR/OHBR 12m staging column type	
Scale: Not to scale	sheet: 7 of 8



SECTION A-A



BOTTOM REINFORCEMENT OF RING FOUNDATION
SBC - 30t/m²



SECTION OF RING RAFT BEAM

!! APPROVED !!

G. K. N...
15/4/12

CE-I, CE-II, CE-III

TDWSP, Hyderabad.

Bly *13/4/12* *M* *15/4* *BE*

Government of Telangana.	
Rural Water Supply & Sanitation Department	
Construction of 20 KL capacity OHSR/OHBR 12m staging column type	
Scale: Not to scale	sheet: 8 of 8